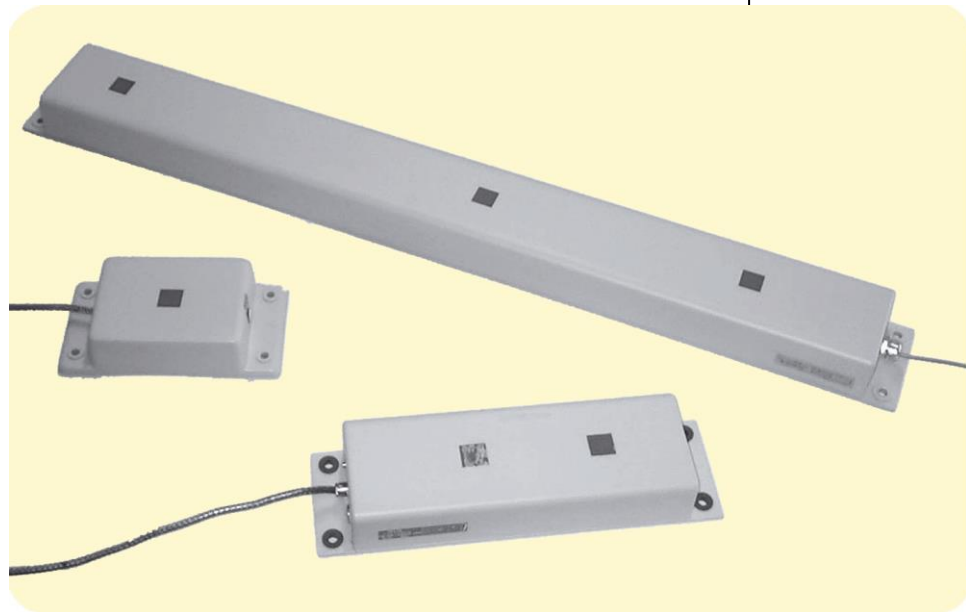


Inductive Proximity Switches

IG120 - IW100



Detection of metallic products with long distance and large field of detection

The **IG120 – IW100** sensors are non-contact inductive proximity switches. They are rugged sensors which detect the presence of metal.

Features

- Long detection range (up to 120 mm)
- Fully adjustable sensitivity
- Detection field from 200 mm up to 1200 mm to suit the roller bed width
- Rugged and reliable under most difficult environmental conditions
- Waterproof (IP67)
- Operating ambient temperature from -20 °C to 80 °C (-4 °F to 176 °F)

Typical applications

- Detection of tubes, coils
- Detection of strip rupture
- Detection of maximum loop of strip in accumulator pits
- Rod detection on cold shearing line
- Billet detection on charging bed



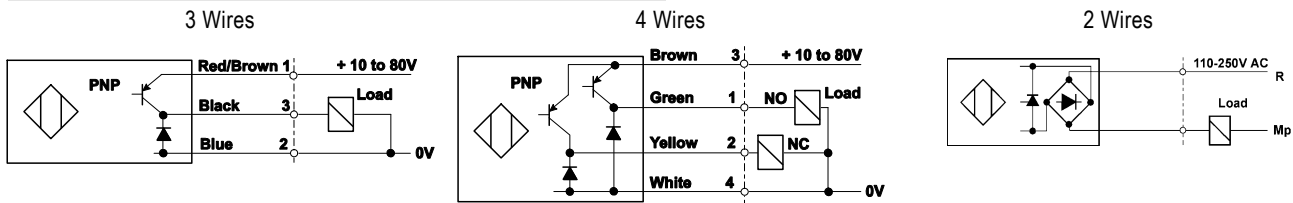
Reference	IG120FP6 IW100/...FP6	IG120RP6 IW100/...RP6	IG120AP6 IW100/...AP6	IG120FA2 IW100/...FA2	IG120RA2 IW100/...RA2
Connection	3 wires		4 wires	2 wires	
Voltage	10 – 80 V DC		10 – 80 V DC	110 – 250 V AC	
Output					
Output current	400 mA		400 mA	5 - 350 mA	
Minimum current on load	-		-	5 mA	
Voltage drop	< 1 V		< 1 V	< 8V	
Detection range	120 mm (IG120) 100 mm (IW100/...)				
Switching hysteresis	5-20%				
Repeatability	≤ 1%				
Temperature drift	10%				
Max. commutation frequency	20 Hz				
Protections	Reverse polarity protected - Outputs short circuit protected				
Indicator	LED				
Working temperature	-20 °C to 80 °C (- 4 °F to 176 °F)				
Protection	IP67				
Connection	2 m cable				

* Range for steel plate (St 37) with 200 mm x 140 mm x 1 mm dimensions. Range is reduced for smaller dimensions.

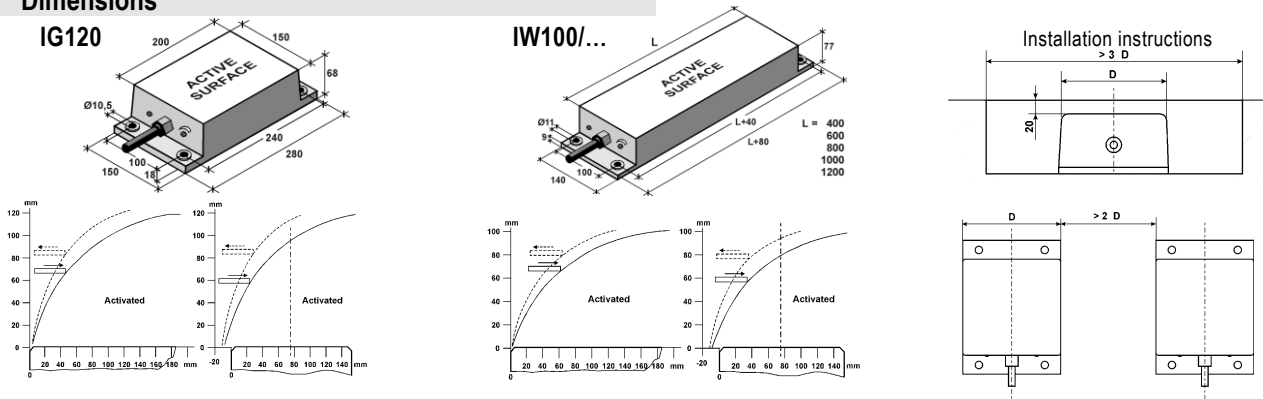
For IW100 series the possible lengths are : 400 – 600 – 800 – 1000 – 1200 mm.

The selected length has to be indicated with the reference. E.g. for 800 mm : **IW100/800 AP6**.

Connection



Dimensions



DELTA

Tel : +33 388 78 21 01 - Fax : +33 388 76 02 29
info@deltasensor.eu - www.deltasensor.eu

DELTA Sensor (China)

Tel: +86 519 8188 2500 - Fax: +86 519 8188 2400 - info@deltasensor.com.cn

DELTA Vertriebsgesellschaft mbH (Germany)

Tel: +49 700 3358 2736 - Fax: +49 700 3358 2835 - info.de@deltasensor.eu

DELTA Sensor (India)

Tel: +91 11 4054 8170 - Fax: +91 11 4054 8172 - info@deltasensor.co.in

DELTA Sensor (Russia)

Tel: + 7 916 682 6027 - info.ru@deltasensor.eu

DELTA USA INC. (North America)

CARNEGIE OFFICE PARC - BUILDING 2, SUITE 180
600 NORTH BELL AVENUE, CARNEGIE, PA 15160

Tel: (412) 429 3574 Fax: (412) 429 3348
info@delta-usa.com www.delta-usa.com

Subject to change without prior notice

Lt 2510 2